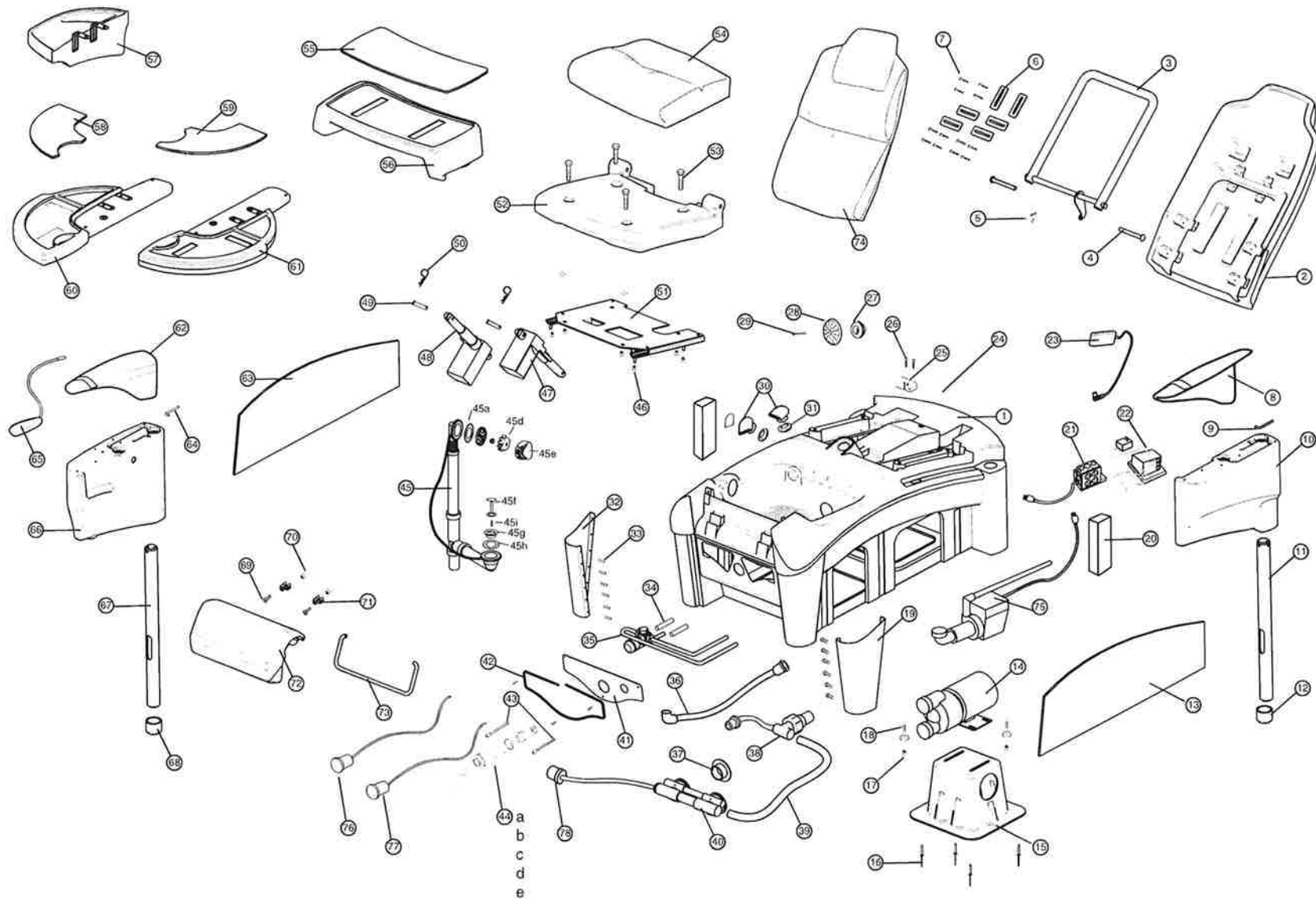


Complete Assembly

SOLACE



	DESCRIPTION:	PART #:		DESCRIPTION:	PART #:
1	BASE UNIT (color variable)		40	JET SUB ASM - items 39, 40, 78	06150073
2	SEAT BACK (color variable)		41	N/A	
3	WELD ASM	06020137	42	FACEPLATES-PLEASE CALL TECH SUPPORT	
4	SHOULDER BOLT	06130007	43	FAUCET MOUNTING SCREWS	06130070
5	CLEVIS PIN & HITCH PIN	06130008 & 06130009	44	FAUCET ASM	06130005
6	BACKREST PLATE	06020121	45	DRAIN-PLEASE CALL TECH SUPPORT	
7	PHILLIPS HEAD SCREW	06130041	46	HEX NUTS	01130005
8	LEFT ARM REST (color variable)		47	LINEAR ACTUATOR - RECLINE	06040000
9	L-PIN	06020112	48	LINEAR ACTUATOR - SEAT	06040002
10	LEFT ARM (color variable)		49	CLEVIS PIN	06130008
11	PVC ARM PIPE	06010136	50	HITCH PIN	03010008
12	END CAP	06010001	51	TRACK ASM-PLEASE CALL TECH SUPPORT	
13	RIGHT SIDE PANEL TRIM (color variable)		52	SEAT BOTTOM (color variable)	
14	JET MOTOR-PLEASE CALL TECH SUPPORT		53	HEX NUTS - not sold separately	
15	JET MOTOR STAND (color variable)		54	SEAT CUSHION (color variable)	
16	ALUMINUM RIVET	01130006	55	MANICURE TRAY TRIM (color variable)	
17	LOCK NUT	01130005	56	MID TRAY (color variable)	
18	CARRIAGE BOLT	03130008	57	CD TRAY HOLDER - N/A	
19	LEFT GUARD	06020105	58	RIGHT MANICURE TRAY TRIM (color variable)	
20	WOOD SUPPORT - LEFT & RIGHT	06050001	59	LEFT MANICURE TRAY TRIM (color variable)	
21	POWER STRIP	00040100	60	RIGHT MANICURE TRAY (color variable)	
22	CONTROL BOX (LINEAR ACTUATOR & REMOTE)-PLEASE CALL TECH SUPPORT		61	LEFT MANICURE TRAY (color variable)	
23	REMOTE (CHAIR MOVEMENTS)-PLEASE CALL TECH SUPPORT		62	RIGHT ARM REST (color variable)	
24	N/A		63	LEFT SIDE PANEL TRIM (color variable)	
25	BRACKET PLATE	06020104	64	L-PIN	06020112
26	PHILLIPS HEAD SCREW	06130012	65	REMOTE-PLEASE CALL TECH SUPPORT	
27	PVC FITTING SUCTION GUARD HEAD	06010004	66	RIGHT ARM (color variable)	
28	SUCTION COVER (phillips screw attached)	03010008	67	PVC ARM PIPE	06010136
29	SUCTION COVER SCREW - not sold separately		68	END CAP	06010001
30	FILLER HEAD SPOUT	03010005	69	PHILLIPS HEAD SCREW	14130012
31	FILLER HEAD NUT	03010006	70	END NUT - N/A	
32	RIGHT GUARD	06020106	71	FOOTREST BRACKET PLATE	06020104
33	PHILLIPS HEAD SCREW	06130047	72	FOOTREST (only available in black)	06060110
34	SPACER FOR SOLACE - N/A		73	BAIL FOR FOOTREST	06020103
35	FAUCET ASM	06130005	74	SEAT BACK CUSHION (color variable)	
36	FAUCET FILL HOSE	06150004	75	PUMP-PLEASE CALL TECH SUPPORT	
37	JET COVER FITTING	01010027	76	DRAIN BUTTONS-PLEASE CALL TECH SUPPORT	
38	AIR BLEED KIT	11160016	77	JET BUTTONS-PLEASE CALL TECH SUPPORT	
39	FLEX HOSE - not sold separately part of item 40		78	CHECK VALVUE W/ HOSE - not sold separately part of item 40	

EUROPEAN TOUCH TECH SUPPORT 1-800-626-6912