

RINATO SPA™

OWNER'S MANUAL



EUROPEAN TOUCH®
The World's Finest Pedicure Spas

EUROPEAN TOUCH - LIMITED CONDITIONAL* WARRANTY

European Touch Holdings, Inc. ("European Touch") conditionally warrants your whirlpool pedicure spa (the "Pedicure Spa") in accordance with the terms and conditions set forth below for a period of one (1) year commencing on the original date of shipment of the Pedicure Spa to you. The warranty only applies to the Pedicure Spa's original end-user owner or customer (the "Customer"). **This Conditional Warranty is non-transferable and replaces any warranties previously published by European Touch.**

If examination of the Pedicure Spa by European Touch during the applicable warranty period shows it to have a defect in material or workmanship, European Touch will, at its option, repair or replace the defective component or part thereof. Further, European Touch may, at its discretion, replace a defective component or part with a refurbished component or part, or may replace the Pedicure Spa with a refurbished pedicure spa. If European Touch elects to replace the Pedicure Spa, the replacement pedicure spa must be comparable in style and size to the Pedicure Spa. The Customer shall bear all charges incurred for the shipment to it of replacement components or parts, or a replacement pedicure spa, and the cost of all labor incurred in repairing defects in the Pedicure Spa or repairing or replacing any of its defective components or parts.

The foregoing limited warranty does not apply:

- To the Pedicure Spa, or any components or parts thereof, if subjected to misuse or neglect or if accidentally or intentionally damaged.
- To the Pedicure Spa, or any components or part, if altered or modified in any way.
- To any expenses incurred by the Customer or any third party, including labor or material, during investigation, removal or reinstallation of the Pedicure Spa or any defective components or parts.
- To any damage to or impairment of the Pedicure Spa, or any components or parts thereof, caused by any casualty, including without limitation, accident, fire, wind, floods, acts of nature or attempted theft.
- To any workmanship of a fabricator (other than European Touch) or installer of the Pedicure Spa.
- If damage to pump parts and/or motor parts is due to obstructed plumbing.
- If the Pedicure Spa is removed from its place of initial installation.
- To staining, fading, or discoloration of any portion of the Pedicure Spa caused by water additives or improper water treatment.
- To staining, fading or discoloration of the Pedicure Spa's upholstered seat, armrests or footrests.
- To malfunctions or damage caused by improper installation of the Pedicure Spa, including, but not limited to, failure to meet local, state, or local plumbing, electrical and building codes.
- To damage resulting from a person standing in the Pedicure Spa's basin or other similar stress to that basin.
- To freight damage.
- To damage incurred to the Pedicure Spa while in possession of any party other than European Touch.

This foregoing conditional limited warranty is also conditional upon:

- The Pedicure Spa being installed by a licensed professional in accordance with European Touch's installation instructions.
- The proper use of cleaning and sanitizing solutions in accordance with the manufacturer's instructions, or state board. It must be noted that repeated use of concentrated sodium hypochlorite solutions (chlorine bleach), concentrated ether solutions, or acetone will damage

chrome and plumbing components and will void the limited warranty on those parts. European Touch recommends that you thoroughly read labels and use sanitizing products void of these chemicals.

- Use of this pedicure spa for functions it was not created for, including, but not limited to, ionic detox or any process that operates by reverse electroplating; this use will destroy plated parts and void the warranty.
- Shipment, if requested, to European Touch of Pedicure Spa parts or components thought to be defective. Parts or components may only be returned if authorized in advance by European Touch. All returns must be freight prepaid.
- Determination by European Touch, in its reasonable discretion, that there exists a defect in material or workmanship.

Repair or replacement of any part or component under this Limited Warranty, or furnishing a replacement pedicure spa, shall not extend the duration of the warranty with respect to such repaired or replaced part beyond the stated warranty period. When a part or component is replaced, it will be under warranty for 90 days, or for the remaining life of original warranty, whichever period is greater.

Customer agrees by using the Pedicure Spa that

- **THE OBLIGATION OF EUROPEAN TOUCH SHALL NOT EXTEND TO INDIRECT OR CONSEQUENTIAL DAMAGES OR INJURY WHICH MAY RESULT FROM SUCH USE**
- that the obligations of European Touch are limited to those set forth herein
- this warranty is limited to the original owner/end-user and is non-transferable
- European Touch shall not be liable for any other obligations or liabilities, including, but not limited to: obligations or liabilities arising out of breach of contract or warranty, negligence, or other tort or any theory of strict liability with respect to the Pedicure Spa or parts or components thereof or any acts or omissions of European Touch
- Any assistance European Touch provides to the Customer outside of terms, limitations, or exclusions of this limited warranty will not constitute a waiver of any of the foregoing terms, limitations, or exclusions, nor will such assistance extend or revive the warranty.

THIS LIMITED WARRANTY IS IN LIEU OF ALL OTHER WARRANTIES, EITHER EXPRESS OR IMPLIED, AND ALL SUCH OTHER WARRANTIES, INCLUDING WITHOUT LIMITATION, IMPLIED WARRANTIES OF MERCHANTABILITY OR FITNESS FOR A PARTICULAR PURPOSE, ARE HEREBY DISCLAIMED AND EXCLUDED FROM THIS LIMITED WARRANTY. NO DEALER OR OTHER PERSON HAS ANY AUTHORITY TO BIND EUROPEAN TOUCH TO CHANGES OR ADDITIONS TO THIS WARRANTY OR ITS PRODUCTS. ACCORDINGLY, EUROPEAN TOUCH IS NOT RESPONSIBLE FOR ANY SUCH OUTSIDE WARRANTIES OR REPRESENTATIONS.

IN NO EVENT SHALL EUROPEAN TOUCH BE LIABLE IN ANY WAY FOR ANY CONSEQUENTIAL, SPECIAL, OR INCIDENTAL DAMAGES OF ANY NATURE WHATSOEVER, OR FOR ANY AMOUNTS IN EXCESS OF THE SELLING PRICE OF THE PEDICURE SPA OR ANY COMPONENTS OR PARTS THEREOF FOUND TO BE DEFECTIVE. THIS LIMITED WARRANTY GIVES THE CUSTOMER SPECIFIC LEGAL RIGHTS. THE CUSTOMER MAY ALSO HAVE OTHER RIGHTS WHICH MAY VARY BY EACH JURISDICTION.

Should your Pedicure Spa require service due to a defect or malfunction, please contact:

European Touch – Technical Support
800.626.6912 | 414.357.7016 | f: 414.357.6360
email: service@europeantouch.com
website: www.europeantouch.com



EUROPEAN TOUCH™

The World's Finest Pedicure Spas

8301 W. Parkland Court
Milwaukee, WI
U.S.A. 53223

COMPLIANCE LISTINGS

EUROPEAN TOUCH
1-800-626-6912

**WHIRLPOOL FOOTSPA
HYDROMASSAGE POUR PÉDICURE**

MODEL (MODÈLE): RINATO SPA

ELECTRICAL RATING (ESTIMATION ÉLECTRIQUE):
120V, 60Hz, 5A, 1/6 HP

MANUFACTURE DATE (DATE DE FABRICATION):



EUROPEAN TOUCH
1-800-626-6912

**WHIRLPOOL FOOTSPA
HYDROMASSAGE POUR PÉDICURE**

MODEL (MODÈLE): RINATO SPA

ELECTRICAL RATING (ESTIMATION ÉLECTRIQUE):
220-240V, 50/60Hz, 2.5A, 1/6 HP

MANUFACTURE DATE (DATE DE FABRICATION):



To the following standard(s):

- ANSI Z124.1.2
- ASME A112.18.1
- ASME A112.18.2
- ASME A112.19.7
- CSA B45.10
- CSA B125.1
- CSA B125.2
- UL 60335-1
- UL 1647
- CAN/CSA E60335-2-32
- CAN/CSA E60335-1
- EN 55014-2 (Generic)
- EN 61000-4-2 (Criteria C)
- EN 61000-4-3
- EN 61000-4-4
- EN 61000-4-5
- EN 61000-4-6
- EN 61000-4-11



EUROPEAN TOUCH™
OWNERS MANUAL For
Rinato® Spa

IMPORTANT INFORMATION

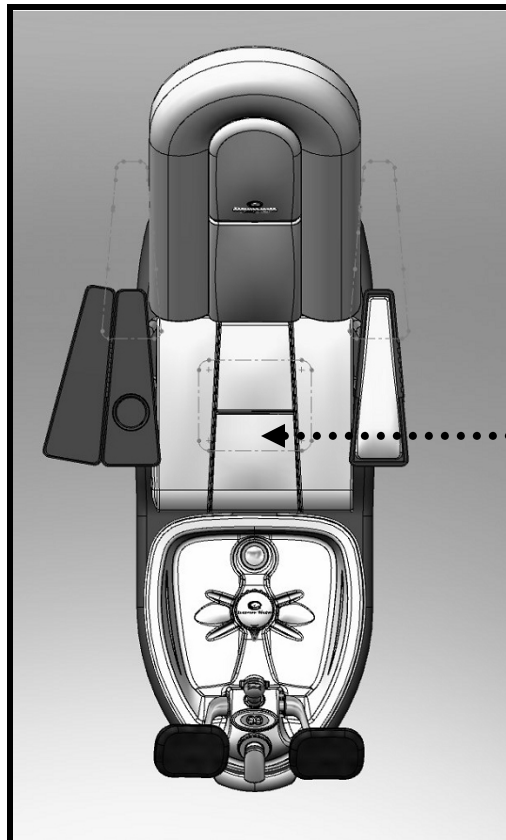
Serial Number: _____

Work Order Number: _____

Installed by: _____

Installation Date: _____

The serial number and work order number are located under the seat bottom cushion on the seat track plate.



Remove seat cushion to locate the serial number and work order number on seat frame.



EUROPEAN TOUCH™

TABLE OF CONTENTS

EUROPEAN TOUCH - LIMITED CONDITIONAL * WARRANTY	2
COMPLIANCE LISTINGS	4
IMPORTANT INFORMATION	5
INTRODUCTION	7
IMPORTANT SAFETY INSTRUCTIONS	7
DANGER	8
WARNINGS	8
IMPORTANT REQUIREMENTS.....	9
HEALTH RISK WARNING	9
PEDICURE SPA SPECIFICATIONS.....	10
REMOTE CONTROL CONFIGURATIONS.....	11
WIRED SOUND OPTION	12
COMPONENT REFERENCE	12
COMPONENT REFERENCE	13
PEDICURE PRODUCT GUIDELINES.....	13
CLEAN TOUCH™ PIPE-FREE SPA CLEANING AND DISINFECTING PROCEDURES	14
HISTORY AND NOTES.....	15



EUROPEAN TOUCH™

INTRODUCTION

Thank you for selecting EUROPEAN TOUCH, the leading designer, manufacturer, and marketer of pedicure spas in North America. The Rinato Spa™ (herein referred to as pedicure spa) is an innovative whirlpool pedicure spa that has been designed to serve you dependably for many years. Please take time to thoroughly read this entire manual before installation and use. If you have any problems or have questions regarding your pedicure spa, please contact EUROPEAN TOUCH's Technical Support Department at **1-800-626-6912**, Monday through Friday 8 AM to 5 PM CST. After hours calls are recorded and attended to the next business day.

IMPORTANT SAFETY INSTRUCTIONS

When using an electrical appliance, basic precautions should always be followed, including the following:

Read all instructions before using the Pedicure Spa.

WARNING – To reduce the risk of burns, fire, electric shock, or injury to persons:

- 1) Use the Pedicure Spa only for its intended use as described in this manual. Do not use attachments not recommended by the manufacturer.
- 2) Never operate the Pedicure Spa if it has a damaged cord or plug, if it is not working properly, if it has been dropped or damaged, or dropped into water.
- 3) Never drop or insert any object into any opening.
- 4) Do not use outdoors.
- 5) Do not operate where aerosol (spray) products are being used or where oxygen is being administered.

Save These Instructions



EUROPEAN TOUCH™

DANGER

- 1) Never use pins or other metallic fasteners with this appliance.
- 2) Carefully examine the covering before each use.
- 3) Discard the appliance if the covering shows any sign of deterioration, such as checking, blistering, or cracking.
- 4) Keep Dry – Do not operate in a wet or moist condition.

WARNINGS

- 1) **WARNING: RISK OF ELECTRIC SHOCK;** do not permit electric appliances (such as a hair dryer, lamp, telephone, radio, or television) within 1.5M of this hydro massage bathtub.
- 2) **CAUTION:** Test the ground fault circuit interrupter protecting this appliance periodically in accordance with the manufacturer's instructions.
- 3) Temperatures sufficiently high to cause burns may occur regardless of the control setting.
 - a. Do not use on...
 - Infants
 - Invalids
 - Sleeping or unconscious person.
 - b. Do not use on...
 - Insensitive skin
 - Person with poor blood circulation.

Note: Check the skin in contact with the heated area of the appliance frequently to reduce the risk of blistering.

- 4) Excessive water temperature is dangerous and should be checked before use. Maximum operating water temperature should not exceed 105° F (41° C) and the maximum supply water temperature should not exceed 150° F (65° C).
- 5) The spa has a heated surface in the seat bottom. Persons sensitive to heat must be careful when using the spa.
- 6) Always enter and exit the pedicure spa slowly and carefully.
- 7) Never bring or operate any electrical devices into or near the pedicure spa.
- 8) This pedicure spa has a weight capacity of 350 pounds.
- 9) Do Not Crush – Avoid sharp folds
- 10) Do not stand on or in appliance.
- 11) Use only while seated.
- 12) Keep children away from extended foot support
- 13) Connect this appliance to a properly grounded outlet only. See Grounding Instructions within the install manual.

Note: Always verify maximum temperatures with your local & state codes.



EUROPEAN TOUCH™

IMPORTANT REQUIREMENTS

EUROPEAN TOUCH requires that you contact your local, licensed plumber and licensed electrician to install your new pedicure spa. Installation must be in compliance with all your local and state building codes. Your pedicure spa cannot operate efficiently or safely unless it is provided with adequate electrical power, sufficient water pressure, proper water temperature, and required drainage capabilities. Contact your local building inspector for information and local code compliance procedures that need to be followed when having your pedicure spa installed. Subsequent inspections and approvals that may be required are the responsibility of the purchaser. **(See limited warranty regarding incidental or consequential exclusions – page 2).**

HEALTH RISK WARNING

Individuals whose feet or legs are inflamed or have open wounds should not be allowed to use the pedicure spa at any time. Nail technicians should advise clients to consult their physician before using the pedicure spa if there is any sign of fungal infection, swelling, fracture, or persistent pain. In some cases diabetics may experience improved circulation in their feet, but should first consult their physician prior to receiving a pedicure.

If the client experiences any pain or discomfort discontinue the use of the pedicure spa immediately.

Your client's massage and pedicure spa experience should be pleasant and comfortable.



PEDICURE SPA SPECIFICATIONS

Hot and cold water supply lines required (hot and cold shut offs may be installed under pedicure spa base)

SHIPPING INFORMATION

Seat collapsed, armrests closed (spa shipping position): 59"L (150cm) x 33"W (84cm) x 34"H (86cm)
Dimensions: 65"L (165cm) x 36"W (84cm) x 41"H (104cm) – includes Spa, carton, and pallet
65"L (165cm) x 36"W (84cm) x 53"H (135cm) – includes Spa, carton, pallet, and accessories
Weight: 257 lbs. (117 kg) - includes spa, carton, pallet

SPA INFORMATION

Overall dimensions, armrests closed, seat upright and forward:
59"L (150cm) x 33"W (84cm) x 57"H (145cm)
Overall dimensions, armrests open w/ cup holders exposed, seat upright and forward:
59"L (150cm) x 46"W (117cm) x 57"H (145cm)
Minimum area required for full chair and armrest movement:
76"L (193cm) x 46"W (117cm) x 57"H (145cm)
Empty weight (complete): 198lbs (90kg)
Water Fill Line Capacity: 4.5 U.S. gallons
Whirlpool pump motor: **110V:** 1/6 HP, 110V, 60Hz
220V: 1/6 HP, 220V, 50/60Hz
Seat upholstery: Polyurethane
Seat and back motors: 24V DC Linear Actuators. Spa requires 17" (44cm) of space between pedicure spa and wall
Brushless Roller Massage motor: 12V AC, Adapter included (alternate voltages available)
Power source: **110V:** 110V AC, 2.75 Amps, 60 Hz (GFCI Protected)
220V: 220V AC, 2.75 Amps, 50/60 Hz (GFCI Protected)

- ▶ **Caution: Pedicure spa must be installed by a licensed electrician and a licensed plumber, conforming to all local and national electrical codes**

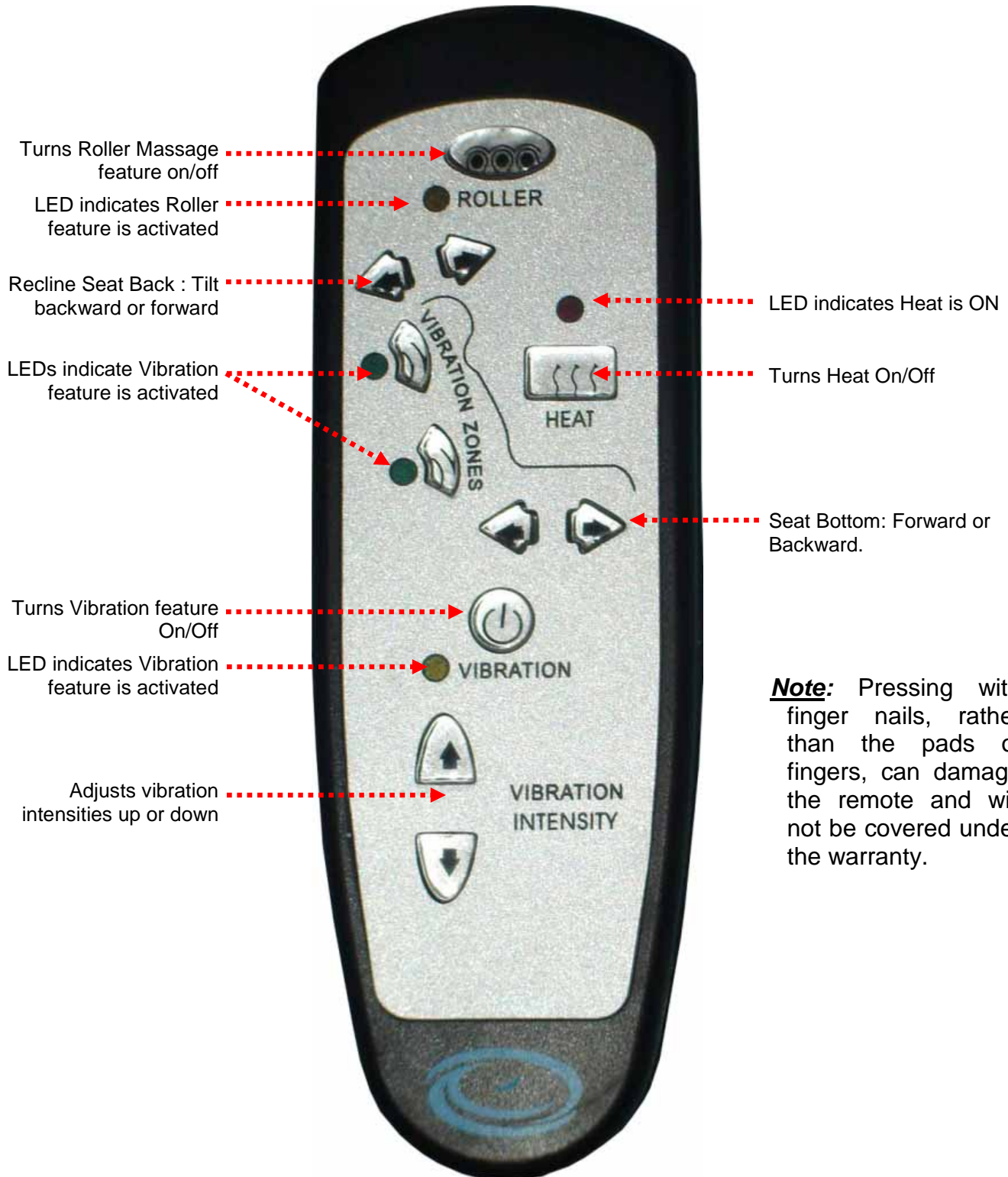
Construction: Metal Frame with Acrylic Shells and basin, pre-plumbed
Clean Touch™ Pipe-Free® Technology: 4 water massage channels, no closed loop circulating pipes, fully drained, easy to clean and sanitize.
Electrical switches: On/Off switch for whirlpool pump. A single hand-held, low voltage remote control for massage motors, heat and seat/back position. Hot and Cold water supply lines required.
Compliances: Tested according to CAN/CSA-E60335-1:1994, CAN/CSA-E60335-2-32:2001, UL 60335-1:2002, & UL 1647:2001
Electrostatic Limits: This unit may lose one or more functions when electrostatic contact discharge in excess of 4KV gets into accessible conductive part of the unit and can be restored by resetting the unit.
This unit may lose one or more functions when power surge in excess of 2KV is applied to the AC input power port and can be restored by resetting the unit.
This unit may lose one or more functions when subjected to fast transient voltages in excess of 0.5KV at 5 KHz repetition frequency and cannot be restored.
Limited warranty: **One (1) year on parts from date of shipment. Labor is not included.**

*NOTE: Due to our policy of continuous improvements, all specifications are subject to change without notice.
All dimensions and weights are approximate*



EUROPEAN TOUCH™

REMOTE CONTROL CONFIGURATIONS





EUROPEAN TOUCH™

WIRED SOUND OPTION



1/8" (3.5mm) Phone Jack.
Plug in Headphones or Portable Speakers.

1/8" (3.5mm) Phone Plug Cable.
Plug into any MP3 Player or IPOD that
has a 1/8" (3.5mm) Phone Jack.

Stowe away the end of the phone plug cable in
the Massage Remote Pocket when not in use.

COMPONENT REFERENCE



On/Off Button



**On/Off & Drain Button
as with PDP option**

Note: Pressing with finger nails, rather than the pads of fingers, can damage the on/off switch and will not be covered under the warranty.

PEDICURE PRODUCT GUIDELINES

Because there are so many different products on the market, it is difficult to list all of the pedicure products that are safe to use in our pedicure spas. However, the following guidelines can be used:

- It is your responsibility to understand and follow your state's regulations regarding product cleaning and disinfecting requirements.
- Do not use any products containing a foaming agent; this will cause excessive foam.
- It has been determined that products containing non-dissolving abrasives (such as sand and sea salts) will not harm the internal component structure of your pedicure spa as long as the entire EUROPEAN TOUCH cleaning requirements are followed without deviation.
- Oil based products may be used in your pedicure spa as long as the cleaning requirements are met.
- Please use pedicure products and cleaning solutions in accordance with each manufacturer's directions.

EUROPEAN TOUCH pedicure spas will give you many years of service as long as proper precautions, precise cleaning, and operating instructions are followed. It is the responsibility of the pedicure spa user to properly clean and maintain the pedicure spa.

CLEAN TOUCH™ PIPE-FREE SPA CLEANING AND DISINFECTING PROCEDURES

Always check with your state board for required cleaning and disinfecting procedures.

It is extremely important to clean and disinfect your pedicure spa after each pedicure, after the last pedicure of the day, and once a week for overnight cleaning. Regular cleaning will help keep your pedicure spa in good working condition. Proper and continuous cleaning will kill harmful bacteria and germs that can cause infection. To clean your pedicure spa equipped with Clean Touch technology, follow these easy steps.

Procedures for Cleaning and Disinfecting Pipe-Free Pedicure spas

After use upon each patron, each Pipe-Free Pedicure spa shall be cleaned and disinfected in the following sequential manner:

- (1) All water shall be drained from the spa basin.
- (2) Remove 2 piece inlet housing & impeller.
- (3) Scrub all visible residue from the inlet housing, impeller, inside walls of the basin, and/or other components and the areas behind or under each with a clean brush and liquid soap (labeled as such on soap product) and water. Rinse with clean water.
- (4) Reinsert the properly cleaned inlet housing & impeller,
- (5) Refill the basin with clean water and circulate the correct amount (read the label for mixing instructions) of the EPA-registered hospital-liquid disinfectant which the label claims is a bactericide, fungicide, and virucide, through the basin for at least 10 minutes.
- (6) Drain, rinse and wipe the basin dry with a clean paper towel.
- (7) Record this procedure in the pedicure-cleaning log. The log shall contain the date and time of each cleaning, initials of the person who completed the procedure, and shall indicate that the cleaning was done after a client.

At the end of every day and after performing the procedures provided in subsection (b) (1 through 6) and after the last client, each pipe-free pedicure spa shall be cleaned and disinfected in the following sequential manner:

- (1) Fill the basin with warm water and detergent (labeled as such on detergent product) and circulate the detergent through the spa system for at least 10 minutes.
- (2) Drain the detergent solution and rinse the basin.
- (3) Refill the basin with clean water and circulate the correct amount (read the label for mixing instructions) of the EPA-registered hospital-liquid disinfectant which the label claims is a bactericide, fungicide, and virucide, through the basin for at least 10 minutes.
- (4) Drain, rinse and wipe the basin dry with a clean paper towel.
- (5) Allow the basin to dry completely.
- (6) Record this procedure in the pedicure-cleaning log. The log shall contain the date and time of each cleaning, initials of the person who completed the procedure, and shall indicate that the cleaning was done at the end of the day.

At least once each week, after completing the procedures provided in subsection (c) (1 through 3), and the disinfectant solution in each pipe-free pedicure spa shall not be drained and the following sequential procedures shall be followed:

- (1) The unit shall be turned off and the disinfecting solution shall be left in the unit undisturbed for 6 to 10 hours.
- (2) After the disinfectant solution has been sitting between 6 to 10 hours, rinse and wipe the basin dry with a clean paper towel.
- (3) Record this procedure in the pedicure-cleaning log. The log shall contain the date and time of each cleaning, initials of the person who completed the procedure, and shall indicate that the cleaning was done weekly.

The pedicure-cleaning log shall be made available upon request by either a patron or a state board representative.

A violation of this section may result in an administrative fine and/or disciplinary action.

CAUTION: Cleaning products that contain abrasives can damage the pedicure spa. Use only non-abrasive products to clean your spa

HISTORY AND NOTES



EUROPEAN TOUCH™

**EUROPEAN TOUCH
8301 W. Parkland Court
Milwaukee, WI 53223**

**Phone Number: 1-414-357-7016
Toll Free: 1-800-626-6912
Fax: 1-414-357-6360**

**Web Site: www.europeantouch.com
Email: info@europeantouch.com**