

# *ElleSpa*



EUROPEAN TOUCH™

## EUROPEAN TOUCH - LIMITED CONDITIONAL\* WARRANTY

European Touch Holdings, Inc. ("European Touch") conditionally warrants your pedicure spa (the "Pedicure Spa") in accordance with the terms and conditions set forth below for a period of one (1) year commencing on the original date of shipment of the Pedicure Spa to you. The warranty only applies to the Pedicure Spa's original end-user owner or customer (the "Customer"). **This Conditional Warranty is non-transferable and replaces any warranties previously published by European Touch.**

If examination of the Pedicure Spa by European Touch during the applicable warranty period shows it to have a defect in material or workmanship, European Touch will, at its option, repair or replace the defective component or part thereof. Further, European Touch may, at its discretion, replace a defective component or part with a refurbished component or part, or may replace the Pedicure Spa with a refurbished pedicure spa. If European Touch elects to replace the Pedicure Spa, the replacement pedicure spa must be comparable in style and size to the original Pedicure Spa. The Customer shall bear all charges incurred for the shipment to it of replacement components or parts, or a replacement pedicure spa, and the cost of all labor incurred in repairing defects in the Pedicure Spa or repairing or replacing any of its defective components or parts.

The foregoing limited warranty does not apply:

- To the Pedicure Spa, or any components or parts thereof, if subjected to misuse or neglect or if accidentally or intentionally damaged.
- To the Pedicure Spa, or any components or part, if altered or modified in any way.
- To any expenses incurred by the Customer or any third party, including labor or material, during investigation, removal or reinstallation of the Pedicure Spa or any defective components or parts.
- To any damage to or impairment of the Pedicure Spa, or any components or parts thereof, caused by any casualty, including without limitation, accident, fire, wind, floods, acts of nature or attempted theft.
- To any workmanship of a fabricator (other than European Touch) or installer of the Pedicure Spa.
- If damage to pump parts and/or motor parts is due to obstructed plumbing.
- If the Pedicure Spa is removed from its place of initial installation.
- To staining, fading, or discoloration of any portion of the Pedicure Spa caused by water additives or improper water treatment.
- To staining, fading or discoloration of the Pedicure Spa's upholstered seat, armrests or footrests.
- To malfunctions or damage caused by improper installation of the Pedicure Spa, including, but not limited to, failure to meet local, state, or local plumbing, electrical and building codes.
- To damage resulting from a person standing in the Pedicure Spa's basin or other similar stress to the basin.
- To freight damage.
- To damage incurred to the Pedicure Spa while in possession of any party other than European Touch.

This forgoing conditional limited warranty is also conditional upon:

- The Pedicure Spa being installed by a licensed professional in accordance with European Touch's installation instructions.
- The proper use of cleaning and sanitizing solutions in accordance with the manufacturer's instructions, or state board. It must be noted that repeated use of concentrated sodium hypochlorite solutions (chlorine bleach), concentrated ether solutions, or acetone will damage

chrome and plumbing components and will void the limited warranty on those parts. European Touch recommends that you thoroughly read labels and use sanitizing products void of these chemicals.

- Use of this pedicure spa for functions it was not created for, including, but not limited to, ionic detox or any process that operates by reverse electroplating; this use will destroy plated parts and void the warranty.
- Shipment, if requested, to European Touch of Pedicure Spa parts or components thought to be defective. Parts or components may only be returned if authorized in advance by European Touch. All returns must be freight prepaid.
- Determination by European Touch, in its reasonable discretion, that there exists a defect in material or workmanship.

Repair or replacement of any part or component under this Limited Warranty, or furnishing a replacement pedicure spa, shall not extend the duration of the warranty with respect to such repaired or replaced part beyond the stated warranty period. When a part or component is replaced, it will be under warranty for 90 days, or for the remaining life of the original warranty, whichever period is greater.

Customer agrees by using the Pedicure Spa that

- **THE OBLIGATION OF EUROPEAN TOUCH SHALL NOT EXTEND TO INDIRECT OR CONSEQUENTIAL DAMAGES OR INJURY WHICH MAY RESULT FROM SUCH USE**
- the obligations of European Touch are limited to those set forth herein
- this warranty is limited to the original owner/end-user and is non-transferable
- European Touch shall not be liable for any other obligations or liabilities, including, but not limited to: obligations or liabilities arising out of breach of contract or warranty, negligence, or other tort or any theory of strict liability with respect to the Pedicure Spa or parts or components thereof or any acts or omissions of European Touch
- Any assistance European Touch provides to the Customer outside of terms, limitations, or exclusions of this limited warranty will not constitute a waiver of any of the foregoing terms, limitations, or exclusions, nor will such assistance extend or revive the warranty.

**THIS LIMITED WARRANTY IS IN LIEU OF ALL OTHER WARRANTIES, EITHER EXPRESSED OR IMPLIED, AND ALL SUCH OTHER WARRANTIES, INCLUDING WITHOUT LIMITATION, IMPLIED WARRANTIES OF MERCHANTABILITY OR FITNESS FOR A PARTICULAR PURPOSE, ARE HEREBY DISCLAIMED AND EXCLUDED FROM THIS LIMITED WARRANTY. NO DEALER OR OTHER PERSON HAS ANY AUTHORITY TO BIND EUROPEAN TOUCH TO CHANGES OR ADDITIONS TO THIS WARRANTY OR ITS PRODUCTS. ACCORDINGLY, EUROPEAN TOUCH IS NOT RESPONSIBLE FOR ANY SUCH OUTSIDE WARRANTIES OR REPRESENTATIONS.**

**IN NO EVENT SHALL EUROPEAN TOUCH BE LIABLE IN ANY WAY FOR ANY CONSEQUENTIAL, SPECIAL, OR INCIDENTAL DAMAGES OF ANY NATURE WHATSOEVER, OR FOR ANY AMOUNTS IN EXCESS OF THE SELLING PRICE OF THE PEDICURE SPA OR ANY COMPONENTS OR PARTS THEREOF FOUND TO BE DEFECTIVE. THIS LIMITED WARRANTY GIVES THE CUSTOMER SPECIFIC LEGAL RIGHTS. THE CUSTOMER MAY ALSO HAVE OTHER RIGHTS WHICH MAY VARY BY EACH JURISDICTION.**

Should your Pedicure Spa require service due to a defect or malfunction, please contact:

European Touch – Technical Support  
800.626.6912 | 414.357.7016 | f: 414.357.6360  
email: [service@europeantouch.com](mailto:service@europeantouch.com)  
website: [www.europeantouch.com](http://www.europeantouch.com)



# EUROPEAN TOUCH™ OWNERS MANUAL For Elle Spa

## IMPORTANT INFORMATION

Serial Number: \_\_\_\_\_

Work Order Number: \_\_\_\_\_

Installed by: \_\_\_\_\_

Installation Date: \_\_\_\_\_

The serial number and work order number are located above  
the water connections at the rear of the unit.



# TABLE OF CONTENTS

<b>EUROPEAN TOUCH - LIMITED CONDITIONAL * WARRANTY .....</b>	<b>2</b>
<b>IMPORTANT INFORMATION .....</b>	<b>4</b>
<b>TABLE OF CONTENTS .....</b>	<b>5</b>
<b>INTRODUCTION .....</b>	<b>6</b>
<b>IMPORTANT SAFETY INSTRUCTIONS .....</b>	<b>6</b>
<b>DANGER .....</b>	<b>6</b>
<b>WARNINGS .....</b>	<b>7</b>
<b>IMPORTANT REQUIREMENTS.....</b>	<b>7</b>
<b>HEALTH RISK WARNING .....</b>	<b>7</b>
<b>PEDICURE SPA SPECIFICATIONS.....</b>	<b>8</b>
<b>INSTALLATION DIMENSIONS.....</b>	<b>9</b>
<b>INSTALLATION INFORMATION MESSAGE CHAIR .....</b>	<b>10</b>
<b>INSTALLATION INFORMATION PLUMBING.....</b>	<b>12</b>
<b>WATER SUPPLY .....</b>	<b>12</b>
<b>INSTALLATION INFORMATION ELECTRICAL.....</b>	<b>13</b>
<b>ELECTRICAL SERVICE.....</b>	<b>13</b>
<b>DANGER .....</b>	<b>13</b>
<b>Component Reference.....</b>	<b>13</b>
<b>Component Reference.....</b>	<b>14</b>
<b>REMOVING AND REPLACING LOCKING CAP .....</b>	<b>15</b>
<b>PEDICURE PRODUCT GUIDELINES.....</b>	<b>15</b>
<b>OPERATING INSTRUCTIONS .....</b>	<b>16</b>
<b>USER MAINTENANCE .....</b>	<b>16</b>
<b>THINGS TO AVOID: .....</b>	<b>16</b>
<b>DAMAGE TO UNIT: .....</b>	<b>16</b>
<b>Operating Instructions.....</b>	<b>17</b>
<b>ROLLER / VIBRATION MESSAGE SYSTEM .....</b>	<b>17</b>
<b>PIPE-FREE SPA CLEANING AND DISINFECTING PROCEDURES .....</b>	<b>19</b>
<b>PEDICURE SPA CLEANING LOG SHEET .....</b>	<b>20</b>
<b>REPLACEMENT PARTS.....</b>	<b>22</b>
<b>HISTORY AND NOTES.....</b>	<b>26</b>

## INTRODUCTION

Thank you for selecting EUROPEAN TOUCH, the leading designer, manufacturer, and marketer of pedicure spas in North America. The Elle Spa (herein referred to as pedicure spa) is an innovative pedicure spa that has been designed to serve you dependably for many years. Please take time to thoroughly read this entire manual before installation and use. If you have any problems or have questions regarding your pedicure spa, please contact EUROPEAN TOUCH'S Technical Support Department at **1-800-626-6912**, Monday through Friday 8 AM to 5:00 PM CST. After hours calls are recorded and attended to the next business day.

## IMPORTANT SAFETY INSTRUCTIONS

When using an electrical appliance, basic precautions should always be followed, including the following:

Read all instructions before using the Pedicure Spa.

**WARNING** – To reduce the risk of burns, fire, electric shock, or injury to persons:

1. Use the Pedicure Spa only for its intended use as described in this manual. Do not use attachments not recommended by the manufacturer.
2. Never operate the Pedicure Spa: if it has a damaged cord or plug, if it is not working properly, if it has been dropped or damaged.
3. Never drop or insert any object into any opening.
4. Do not use outdoors.
5. Do not operate where aerosol (spray) products are being used or where oxygen is being administered.

## DANGER

1. Never use pins or other metallic fasteners with this appliance.
2. Carefully inspect spa for defects before each use.
3. Discard the appliance if the covering shows any sign of deterioration, such as checking, blistering or cracking.

## WARNINGS

1. WARNING: RISK OF ELECTRIC SHOCK; do not permit electric appliances (such as a hair dryer, lamp, telephone, radio, or television) within 1.5M (5 feet) of this hydro-massage bathtub.
2. CAUTION: Test the ground fault circuit interrupter protecting this appliance periodically in accordance with the manufacturer's instructions.
3. Excessive water temperature is dangerous and should be checked before use. Maximum operating water temperature should not exceed 105° F (41° C) and the maximum supply water temperature should not exceed 120°F (49° C).
4. Always enter and exit the pedicure spa slowly and carefully.
5. Never bring or operate any electrical devices into or near the pedicure spa.
6. Do Not Crush – Avoid sharp folds.
7. Do not stand on or in appliance.
8. Use only while seated.
9. Connect this appliance to a properly grounded outlet only. See Grounding Instructions within the install manual.
10. Spa basin shall not be used by maintenance or cleaning crew as a slop sink.

**Note: Always verify maximum temperatures with your local & state codes.**

## IMPORTANT REQUIREMENTS

EUROPEAN TOUCH requires that you contact a local licensed plumber and licensed electrician to install your new pedicure spa. Installation must be in compliance with your local and state building codes. Your pedicure spa cannot operate efficiently or safely unless it is provided with adequate electrical power, sufficient water pressure, proper water temperature, and required drainage capabilities. Contact your local building inspector for information and local code compliance procedures that need to be followed when having your pedicure spa installed. Subsequent inspections and approvals that may be required are the responsibility of the purchaser. **(See limited warranty regarding incidental or consequential exclusions – page 2).**

## HEALTH RISK WARNING

Individuals whose feet or legs are inflamed or have open wounds should not be allowed to use the pedicure spa at any time. Nail technicians should advise clients to consult their physician before using the pedicure spa if there is any sign of fungal infection, swelling, fracture, or persistent pain. In some cases diabetics may experience improved circulation in their feet, but should first consult their physician prior to receiving a pedicure.

*Your client's pedicure spa experience should be pleasant and comfortable.*

**If the client experiences any pain or discomfort discontinue the use of the pedicure spa immediately.**

## PEDICURE SPA SPECIFICATIONS

Hot and cold water supply lines required (hot and cold shut offs may be installed under pedicure spa base)

### SHIPPING INFORMATION

**Weight:** 225 lbs. (102 kg) - includes spa, carton, pallet (estimated)

**Shipping Dimensions:** 65"L (165cm) x 36" W (84cm) x 53"H (135cm)

### SPA INFORMATION

**Overall dimension, seat upright and forward:**

59"L (150cm) x 28.25"W (72cm) x 54.50"H (139cm) (manicure trays down)

59"L (150cm) x 45"W (115cm) x 54.50"H (139cm) (manicure trays up)

**Minimum area required for chair in rear position and fully reclined:**

74"L (188cm) x 28.25"W (72cm) x 48.75"H (124cm)

74"L (188cm) x 45"W (115cm) x 48.75"H (124cm)

**Empty weight (complete):** 175lbs (80kg)

**Water Capacity:** 5 U.S. gallons

**Whirlpool pump motor:** 1/6 HP, 110V, 60Hz

**Seat upholstery:** Polyurethane

**Power source:** 110V AC, 2.75 Amps, 60 Hz (GFCI Protected)

- ▶ **Caution: Pedicure spa must be installed by a licensed electrician and a licensed plumber, conforming to all local and national electrical codes**

**Construction:** Fiber Glass base with steel frame under seat area

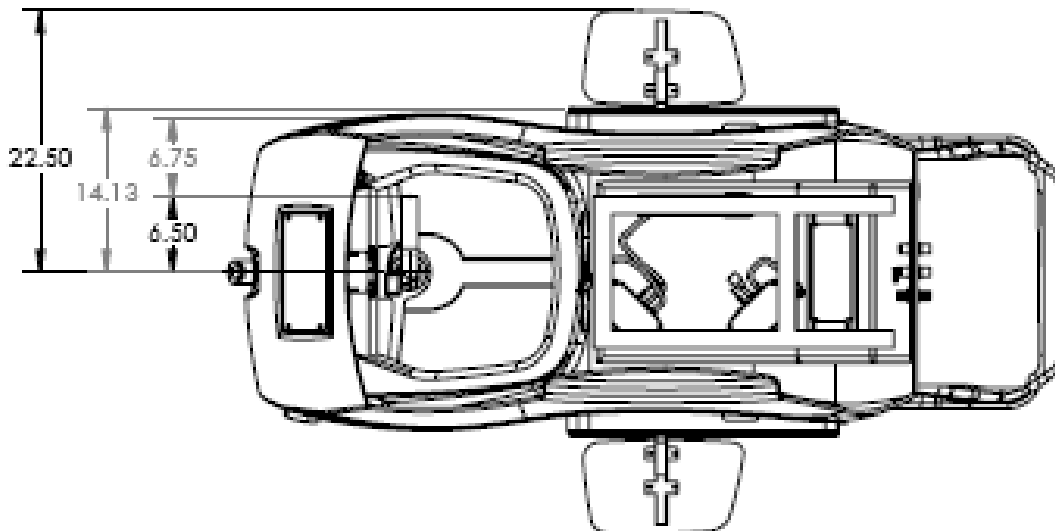
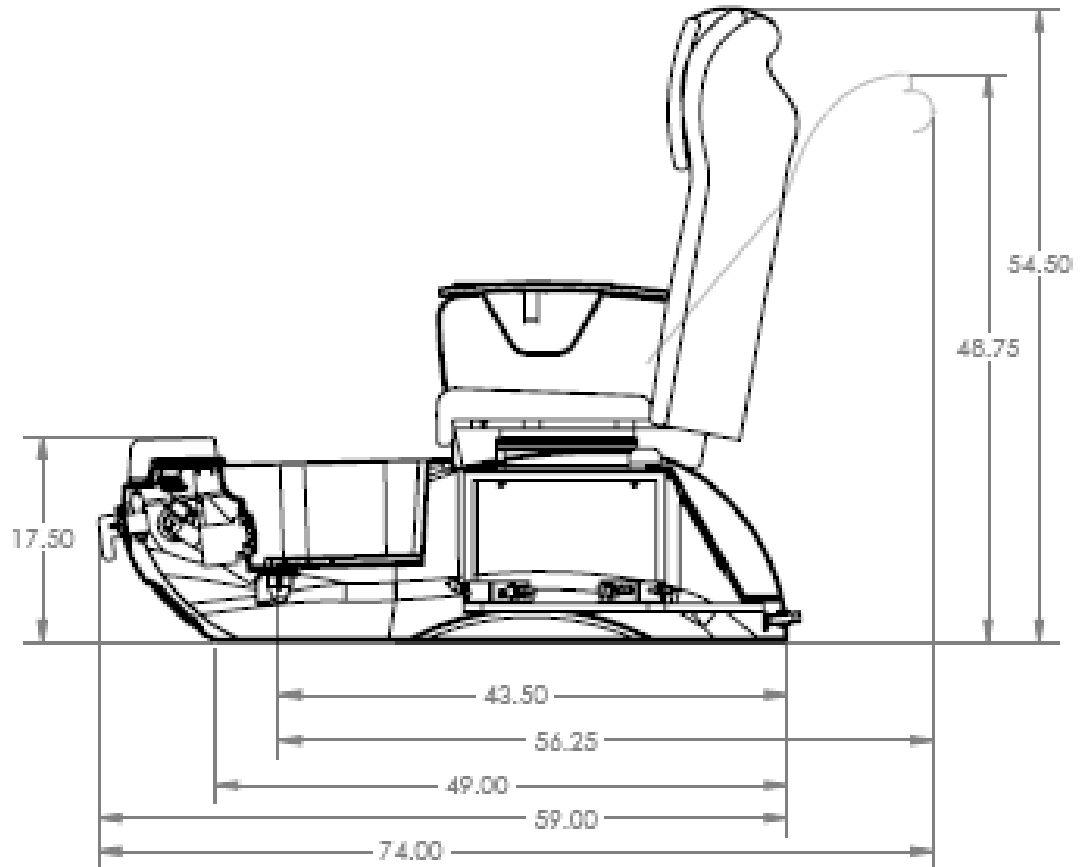
**Geni-Eye Pipeless:** No closed loop circulating pipes, fully drained, easy to clean and sanitize

**Electrical switches:** Single On/Off switch for water movement motor OR a dual On/Off switch for water movement and drain pump. A single hand-held, low voltage remote control for massage motors.

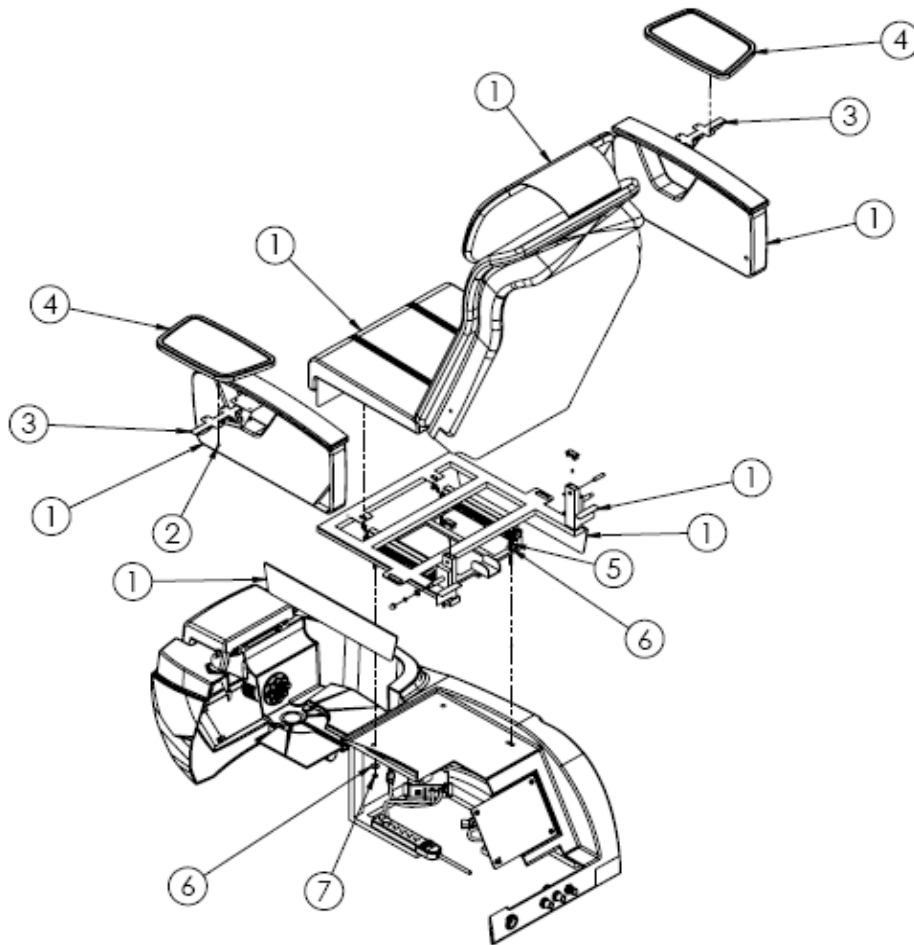
**Compliances:**  
**Base/ basin:** UL listed E122560  
Plumbing: ASME/ANSI A112.19.7M (2006) & CSA B45.10  
Electrical: UL 1951  
Massage Chair: ETL Approved

**Limited warranty:** One (1) year on parts from date of shipment. Labor is not included.

# INSTALLATION DIMENSIONS



# INSTALLATION INFORMATION MESSAGE CHAIR



Item	Part Number	Description	Qty
1	4416013x(1-5)	Milo Chair (colors vary)	1
2	44130001	Screws SS #6 size, ½ Panhead	16
3	44021301	Elle Mani Tray Mounting Brackets	1
4	44010200	Mani Trays	1
5	44130003	Screw 5/16 – 18 x 3” SS Hex Head Cap Screw	4
6	25132005	Washer M8 8.4MM ID-24MM OD – 1.8MM THK SS	8
7	01130005	Nut Lock Thin 5/16 – 18	4

# INSTALLATION INFORMATION MESSAGE CHAIR

Install seat track onto shell base using:

- 5/16 -18 x 3" bolt (Qty 4)
- 8M flat washer (Qty 8)
- 5/16 nut with nylon lock
- 1/2" open end wrenches or sockets

Install seat cushion on seat track using:

- Wing nuts (Qty 2)

Install seat back (this is heavy and may require two people to install) using:

- Alignment pins
- 3mm allen wrench.

Lay the seat back face down on the seat cushion. Align holes on seat track and side of seat back and push the longer end of the pin in (with respect to the dimple in the pin) until the dimple in the pin is aligned with the set screw hole. Insert set screw and tighten to hold pin in place.



Tip the seat back up and connect the bottom of the seat to the linear actuator using:

- Clevis pin
- Locking key

Electrical connections:

- Connect the wires from the seat back to the wires from the seat track.
  - White two position connectors
  - White four position connectors
  - Black two position connectors
- Remove back panel on shell. Plug the 120vac wire into the power strip located inside.
- When wires are connected, bundle and zip tie to avoid pinching during seat movement.
- Connect remote to the connector located half way up the seat back.
- Verify power switch is on (located on the side of the seat back)

Install arms using

- Flat washer
- Lock washer
- Cap nut
- 15mm socket

# INSTALLATION INFORMATION PLUMBING

**Note:** Failure to comply with federal, state or local codes and ordinances will result in warranty being null and void.

This pedicure spa installation must comply with all mandatory “state” or “local codes” for all plumbing and electrical codes. A licensed plumber and licensed electrician must make the utility connections to this spa.

It is mandatory in some states such as Massachusetts to install additional backflow protection (reverse backflow) on the Hot and Cold water supply lines. **Check valves are standard on the Elle Spa.** If a state such as Massachusetts requires additional protection it is the owners responsibility to comply.

## Location and Support

Select a level floor location for installation. The floor structure beneath the pedicure spa must be capable of supporting the occupied unit. For the seat back to fully recline, the spa base must be mounted at least 25 inches from the wall as shown below:

## WATER SUPPLY

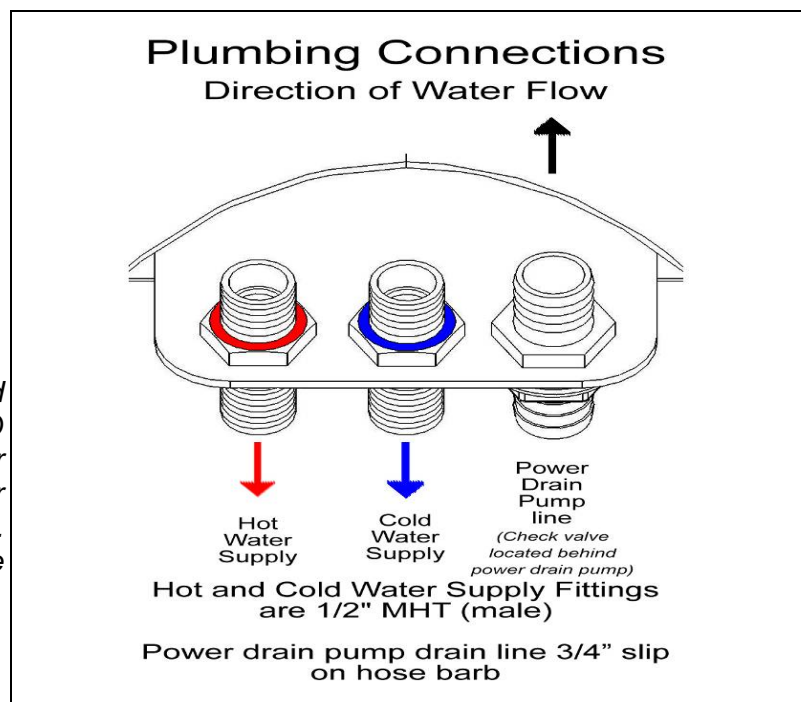
- All plumbing connections must conform to local codes.
- Water pressure must be 30 to 80 PSI for the sprayer to operate correctly.
- Maximum operating water temperature should not exceed 105° F (41° C) and the maximum supply water temperature should not exceed 120° F (49° C). (In Massachusetts, the maximum supply water temperature should not exceed 130° F (54° C)). Adjust the hot water heater accordingly.
- For hot and cold water supply fittings and power drain fitting locations, see figure 1 below.
- Carefully connect the incoming water supply lines to the appropriate fittings located on the back of the pedicure spa. Shut-off valves are recommended.

**\*\*Note:** See local and state codes as to what type of drain connection is required to be made.

Neoperl® DW15GF check valves are located in the hot and cold water lines.

The drain line must be a minimum of 3/4” inside diameter from Spa to wall connection for basin to drain properly.

**Note:** Not using the supplied bulkhead fittings will result in NO backflow protection. Check your Local & State plumbing codes for additional backflow requirements. Any additional requirements are the responsibility of the owner of the unit.



Backflow Protection Devices for Faucets with Side Spray: Check valves comply with ANSI/ASME A112.18.3M, A112.18.1M, and CSA B12

# INSTALLATION INFORMATION ELECTRICAL

## ELECTRICAL SERVICE

**110V:** 110V, 60 Hz, 2.75 Amp GFCI protected grounded circuit must be used to supply power to the pedicure spa.

## Grounding Instructions

**WARNING** – When using electrical products, basic precautions should always be followed, including the following:

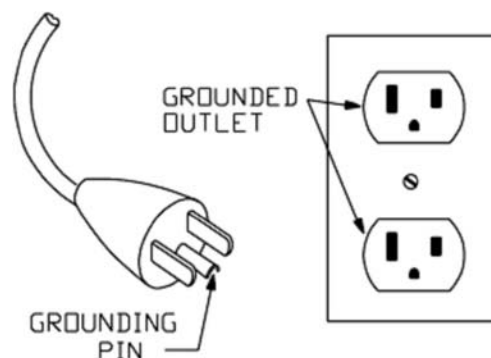
1. **DANGER: RISK OF ELECTRIC SHOCK.** Connect only to a circuit protected by a ground-fault circuit interrupter.
2. Grounding is required. The unit should be installed by a qualified service representative and grounded.

This product must be grounded. If it should malfunction or break down, grounding provides a path of least resistance for electric current to reduce the risk of electric shock. This product is equipped with a cord having an equipment-grounding conductor and a grounding plug. The plug must be plugged into an appropriate outlet that is properly installed and grounded in accordance with all local codes and ordinances.

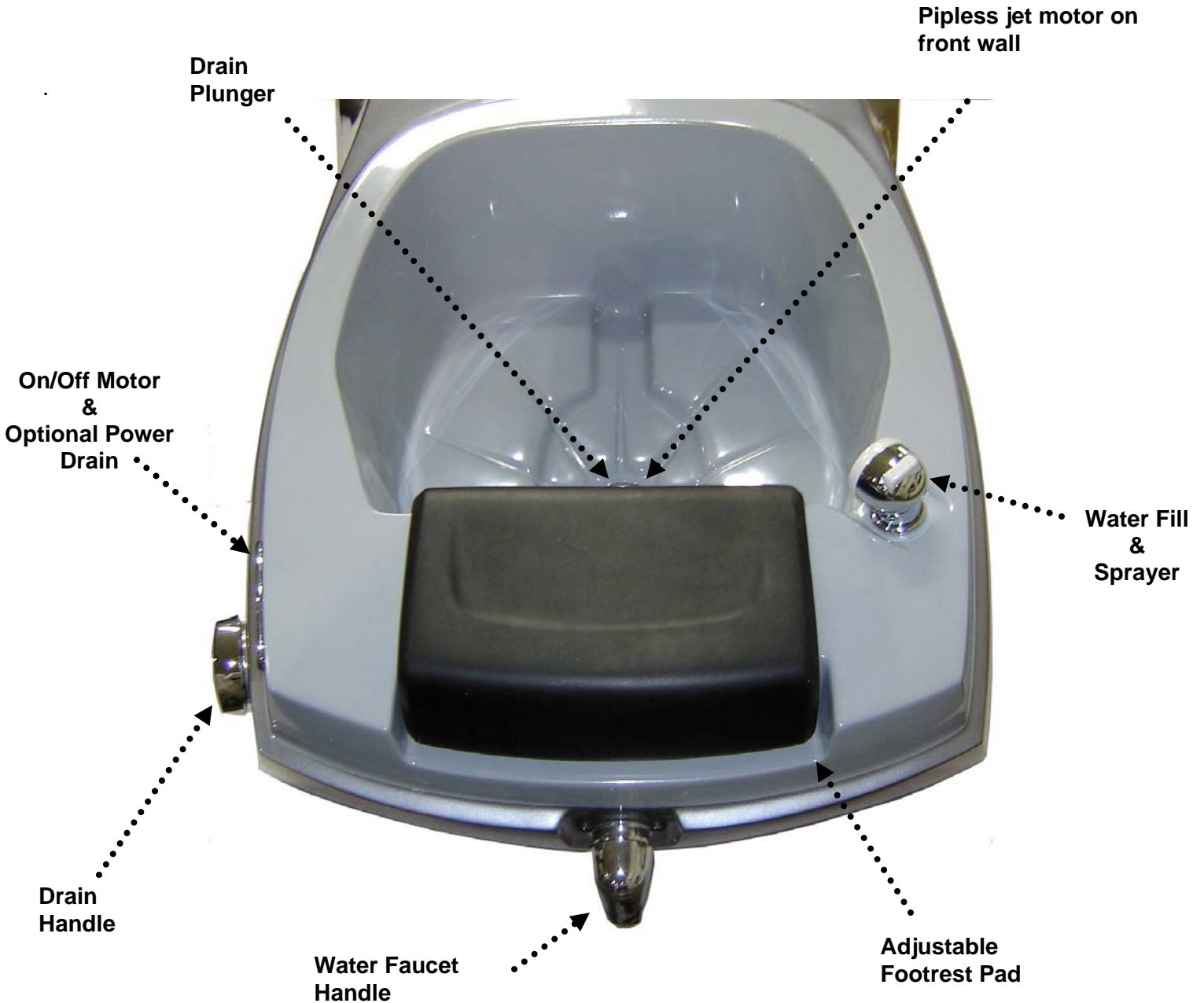
## **DANGER**

Improper connection of the equipment-grounding conductor can result in a risk of electric shock. Check with a qualified electrician or serviceman if you are in doubt as to whether the product is properly grounded. Do not modify the plug provided with the product – if it will not fit the outlet; have a proper outlet installed by a qualified electrician.

This product is for use on a nominal 120-V circuit and has a grounding plug that looks like the plug illustrated in the sketch below. Make sure that the product is connected to an outlet having the same configuration as the plug. No adapter should be used with this product



# Component Reference



Note: Pressing with finger nails, rather than the pads of fingers, will damage the on/off switch and will not be covered under the warranty

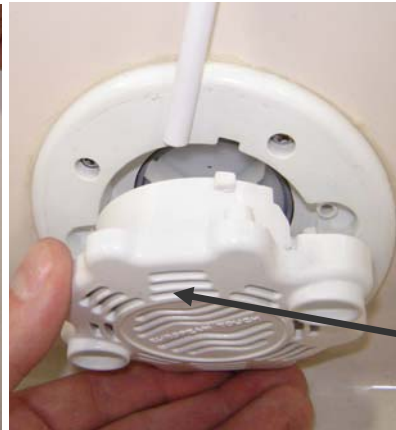
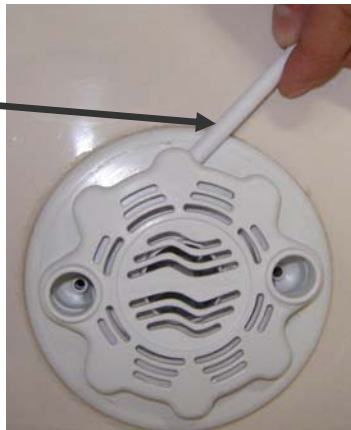
**DO NOT PLUG OR COVER JET HOLES WITH ANY ITEMS, INCLUDING TOES.**

## REMOVING AND REPLACING LOCKING CAP

Check your state and local regulations for cleaning procedures. Links to your state boards can be found on our web site, at [www.europeantouch.com](http://www.europeantouch.com).

1. Place the cap into position and turn clockwise until the locking pin is at the top right corner of the motor mount.
2. To remove cap the use of a tool is required.
3. Insert tool shown in diagram (below) adjacent to locking pin.
4. Gently turn the cap counter-clockwise to remove cap.

**Cover Removal Tool**



**Pipeless jet motor cover**

## PEDICURE PRODUCT GUIDELINES

Because there are so many different products on the market, it is difficult to list all of the pedicure products that are safe to use in our pedicure spas. However, the following guidelines can be used:

1. It is your responsibility to understand and follow your state's regulations regarding product cleaning and disinfecting requirements.
2. Do not use any products containing a foaming agent; this will cause excessive foam.
3. It has been determined that products containing non-dissolving abrasives (such as sand and sea salts) will not harm the internal component structure of your pedicure spa as long as the entire EUROPEAN TOUCH cleaning requirements are followed without deviation.
4. Oil based products may be used in your pedicure spa as long as the cleaning requirements are met.
5. Please use pedicure products and cleaning solutions in accordance with each manufacturer's directions.

**EUROPEAN TOUCH pedicure spas will give you many years of service as long as proper precautions, precise cleaning, and operating instructions are followed. It is the responsibility of the pedicure spa owner to properly clean and maintain the pedicure spa.**

# OPERATING INSTRUCTIONS

## JET OPERATION

### GETTING STARTED

1. Verify the drain control valve is closed.
2. Open the faucet handle and fill tub with water until the water level is 1" above jets.
3. Press on/off membrane switch to start the jets.

The jets system must not be turned on when the system is dry, as damage may occur. Such damage is not covered by warranty.

While the jet action is in operation, do not use an excessive amount of soap, bath oils or detergent, as high action turbulence often causes foaming.

**DO NOT PLUG OR COVER JET HOLES WITH ANY ITEM, INCLUDING TOES.**

### SHUTTING DOWN

1. Press the on/off membrane switch to turn jet feature off.
2. Open drain control valve and the water should begin to drain.
  - If a PDP option was purchased/installed, press the Drain part of the membrane switch.
3. Clean tub (see following page)

### USER MAINTENANCE

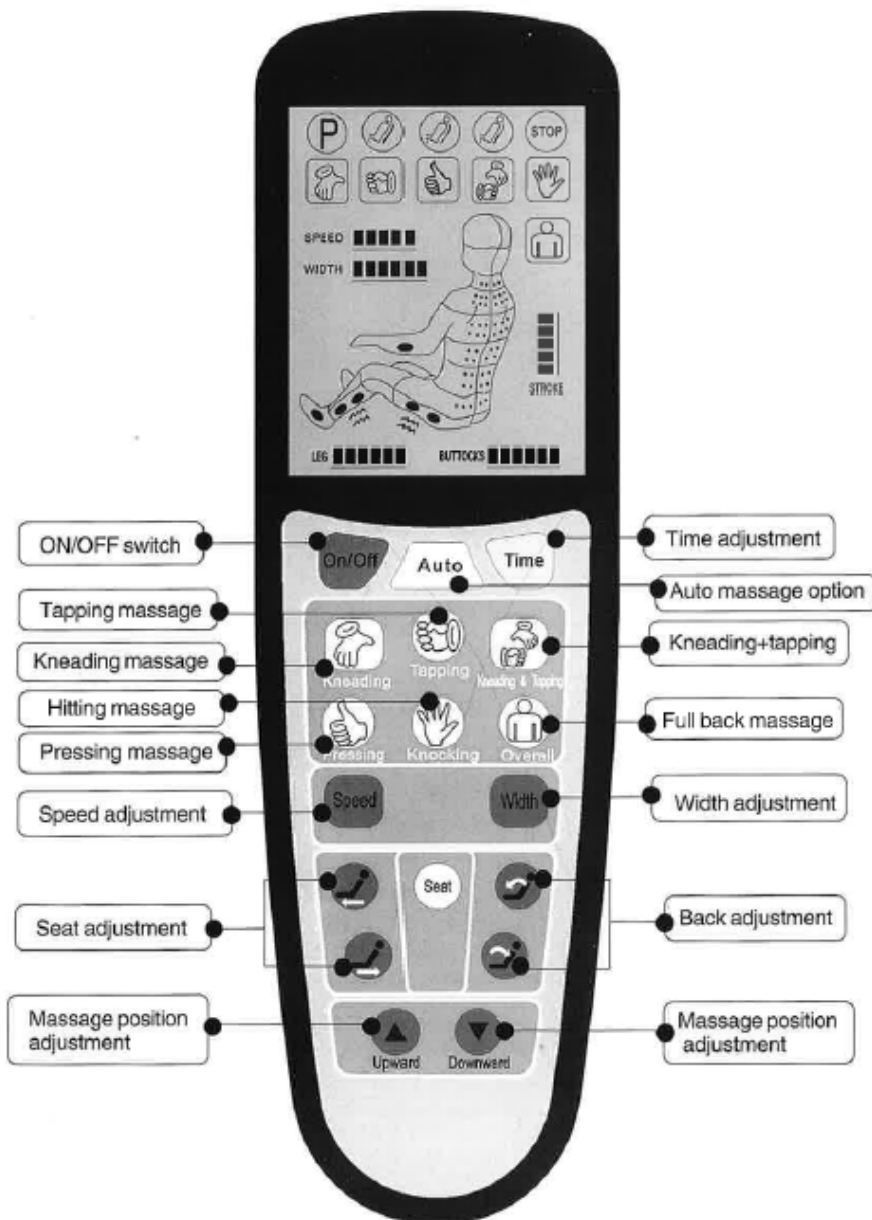
**STAINS:** For stubborn stains start with a liquid detergent, if this does not work, try a mild powder detergent such as Spic 'n Span, which also works well for removing heavy soap film. Cleaning pads made of nylon; saran or polyethylene containing no abrasives may be used. **DO NOT USE ABRASIVE SCOURING POWDERS OR METAL SCOURING PADS** as they can permanently damage the finish. A mild abrasive action can be accomplished with an automotive type of rubbing compound. Should your stain removal result in a dull area; the shine can be restored with an automotive polish and wax, such as *Turtle Wax*.

**THINGS TO AVOID:** Sand and grit. Dropped tools. Acetone on any acrylic surface. Undiluted bleach.

**DAMAGE TO UNIT:** Should your unit suffer accidental damage or require servicing, a qualified repair person may perform the needed repair. Consult your spa representative or European Touch.

# Operating Instructions

## FULL BODY MESSAGE SYSTEM



All massage functions can be operated using the remote control.

On/Off selection turns the massage functions on and off.

If an operation is valid the remote will beep once. If an operation is not valid the remote will beep twice.

Auto massage will proceed through all the massage functions using a preprogrammed routine covering the back, waist and shoulders.

Individual functions can be selected by selecting one of the following tapping, kneading, hitting, pressing, kneading + tapping or overall. The overall selection will massage the back only.

Massage adjustments can be made by selecting the speed or width during the individual function massages.

Seat adjustments can be made by selecting seat adjustment to slide the chair forward and backward or back adjustment to recline the seat back.

During the message, if massage rollers carry to much weight, this item will immediately start the internal safe protection circuit to stop all massage activities. Accordingly, control indicators will flash continuously. Buzzer will sound and no keys will respond at this moment.

1. Kneading indicator – flashes, showing that kneading machine is overloaded.
2. Tapping indicator – flashes, showing that tapping machine is overloaded.
3. All the course indicators – flashes, showing that up/down machine is overloaded.

If the above points occur, please shut off power switch and wait for 10 minutes. Re-open the switch to operate once more. If the massage roller feels like it is moving to slow, please slightly raise your body (for people with over 100kgs (220.5 lbs) weight, this situation will occur more frequently. Please take care of this item, otherwise parts might be damaged).

Warning – To reduce the risk of burning damage, fire, electric shock or bodily harm:

1. Before using the chair, make sure to uncover the back pad and check if there is any damage to the cloth. If any damage is found, stop using immediately and send it to an authorized repair center or call European Touch.
2. This item should only be operated according to the manual.
3. Do not stand on the chair.
4. Unplug the chair when not in use. Close all massage functions before unplugging the chair.
5. If the supplied cord is damaged, it must be replaced by the manufacturer or an authorized service agent to avoid damage or injury.
6. If the chair becomes damaged, splashed or dropped into water, or fails to operate, please contact the dealer and send it to an authorized service center for repairs.
7. To avoid electric shock or bodily harm please do not open or disassemble any part of this item. There are no parts of the chair that can be repaired by users themselves.

The people who are not suitable for using this chair:

1. Disabled people or those who can not express themselves must be strictly and continuously supervised while using this chair.
2. Do not allow small children to use or play around the chair.

Warning – To avoid bodily harm:

1. Pregnant women, people of poor health and those who feel pain in their neck, back, waist or hip should consult a doctor before use. People with heart pacemakers or other personal medical devices should consult manufacturer of the device along with the doctor before using.
2. Do not put any part of your body between the rollers, otherwise roller massage action may cause harm. In addition do not place your hands or feet into the gap between the back and the seat, back and armrest or other active parts to avoid injury.
3. Do not use massage mechanism against bare skin. Although you may receive a stronger massager effect, skin irritation may result.
4. Do not wear any hard objects during massage.
5. Do not massage the head, belly, elbow or knees. Please be cautions when massaging shoulder areas.
6. Check the position of your neck, if the position of the neck is not suitable, please adjust to a suitable position, if not suitable, danger or injury may occur.
7. Maximum massage time is 15 minutes (automatic stop function after 15 minutes).
8. If you feel nausea or pain during the massage, please stop the massage, you many press “stop” key at any time to halt the massage immediately.
9. Do not sleep or consume alcohol while using the massage mechanism.
10. When back of chair is in the recline position, please do not sit on the chair back or press heavily on it, as it may flip upside down.
11. Do no allow children or pets to play on or near the massage.
12. If power problems occur, please unplug the power immediately.

# PIPE-FREE SPA CLEANING AND DISINFECTING PROCEDURES

## **Always check with your state board for required cleaning and disinfecting procedures.**

It is extremely important to clean and disinfect your pedicure spa after each pedicure, after the last pedicure of the day, and once a week for overnight cleaning. Regular cleaning will help keep your pedicure spa in good working condition. Proper and continuous cleaning will kill harmful bacteria and germs that can cause infection. To clean your pedicure spa equipped with Pipeless technology, follow these easy steps.

### **Procedures for Cleaning and Disinfecting Pipe-Free Pedicure spas**

After use upon each patron, each Pipe-Free Pedicure spa shall be cleaned and disinfected in the following sequential manner:

- (1) All water shall be drained from the spa basin.
- (2) Remove Pipe-Free Cover by inserting removal tool and turning counter-clockwise.
- (3) Using handheld sprayer, rinse side walls of basin, pipe free jet and pipe free cover of all residue and debris.
- (4) Scrub all visible residue from the Pipe-Free Cover, inside walls of the basin, and/or other components and the areas behind or under each with a clean brush and liquid soap (labeled as such on soap product) and water. Rinse with clean water.
- (5) Spray to saturate inside of basin, all basin walls and area inside Pipe-Free Jet area with EPA registered disinfectant and allow sitting for at least 10 minutes.
- (6) Submerge Pipe-Free Cover in container of EPA registered disinfectant for at least 10 minutes OR spray Pipe-Free Cover to saturate with EPA registered disinfectant and lay inside basin for a minimum of 10 minutes.
- (7) Rinse and wipe the basin dry with a clean paper towel.
- (8) Reinsert the properly cleaned Pipe-Free Cover over jet, and dry basin completely.

At the end of every day and after performing the procedures provided in subsection (b) (1 through 6) and after the last client, each pipe-free pedicure spa shall be cleaned and disinfected in the following sequential manner:

- (1) Fill the basin with warm water and detergent (labeled as such on detergent product) and circulate the detergent through the spa system for at least 10 minutes.
- (2) Drain the detergent solution and rinse the basin.
- (3) Refill the basin with clean water and circulate the correct amount (read the label for mixing instructions) of the EPA-registered hospital-liquid disinfectant which the label claims is a bactericide, fungicide, and virucide, through the basin for at least 10 minutes.
- (4) Drain, rinse and wipe the basin dry with a clean paper towel.
- (5) Allow the basin to dry completely.
- (6) Record this procedure in the pedicure-cleaning log. The log shall contain the date and time of each cleaning, initials of the person who completed the procedure, and shall indicate that the cleaning was done at the end of the day.

At least once each week, after completing the procedures provided in subsection (c) (1 through 3), and the disinfectant solution in each pipe-free pedicure spa shall not be drained and the following sequential procedures shall be followed:

- (1) The unit shall be turned off and the disinfecting solution shall be left in the unit undisturbed for 6 to 10 hours.
- (2) After the disinfectant solution has been sitting between 6 to 10 hours, rinse and wipe the basin dry with a clean paper towel.
- (3) Record this procedure in the pedicure-cleaning log. The log shall contain the date and time of each cleaning, initials of the person who completed the procedure, and shall indicate that the cleaning was done weekly.

The pedicure-cleaning log shall be made available upon request by either a patron or a state board representative.

### **A violation of this section may result in an administrative fine and/or disciplinary action.**

**CAUTION:** Cleaning products that contain abrasives can damage the pedicure spa. Use only non-abrasive products to clean your spa.

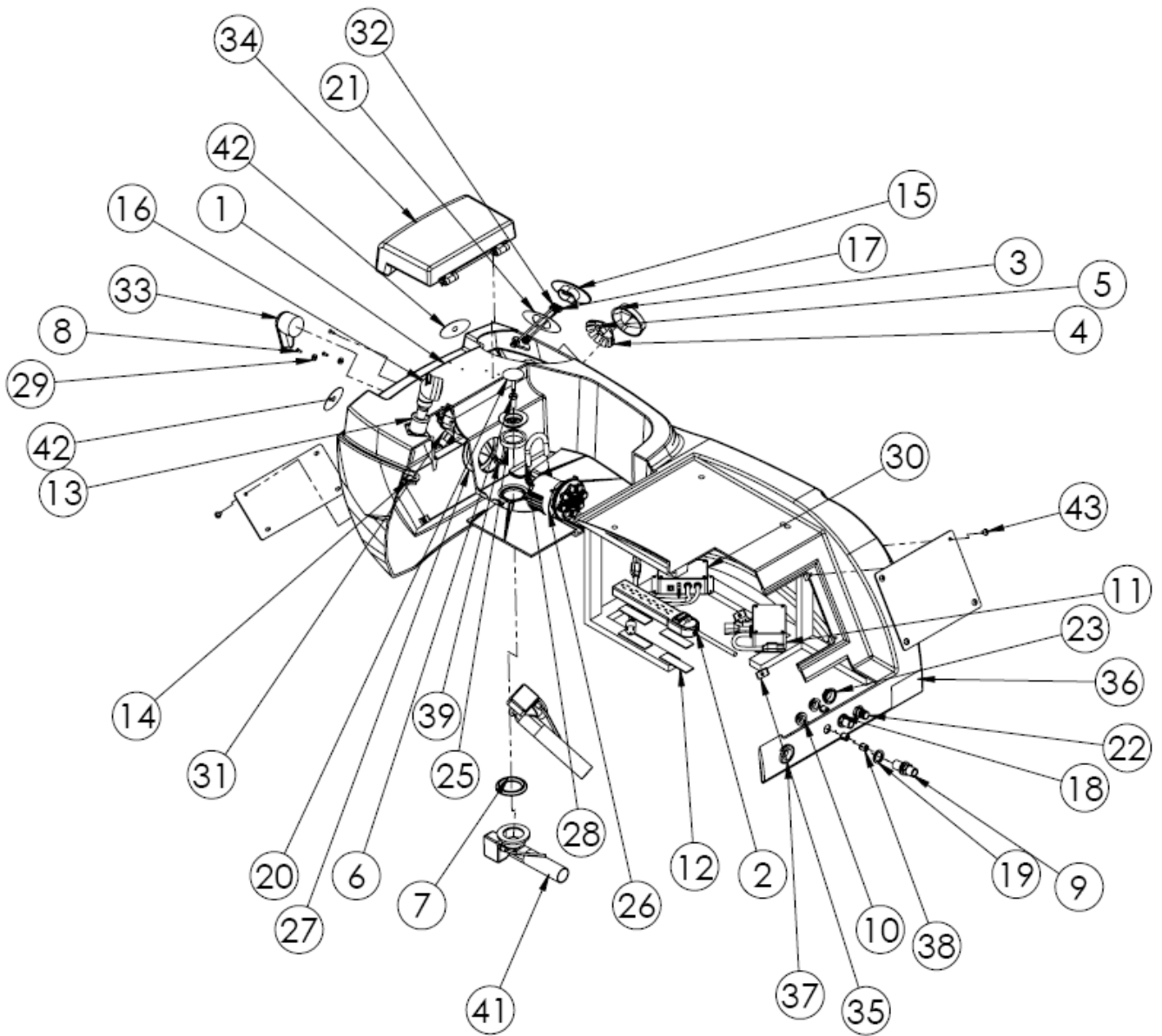




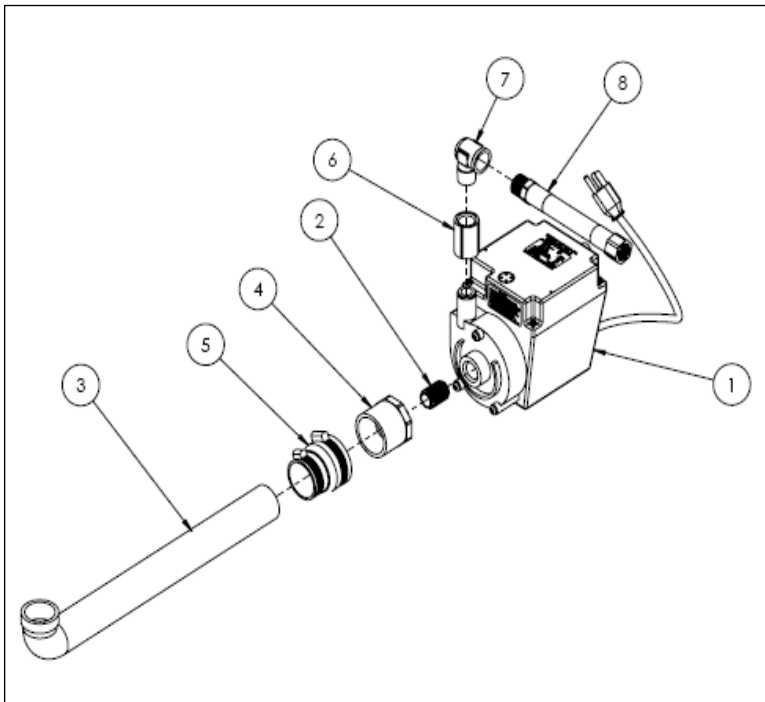
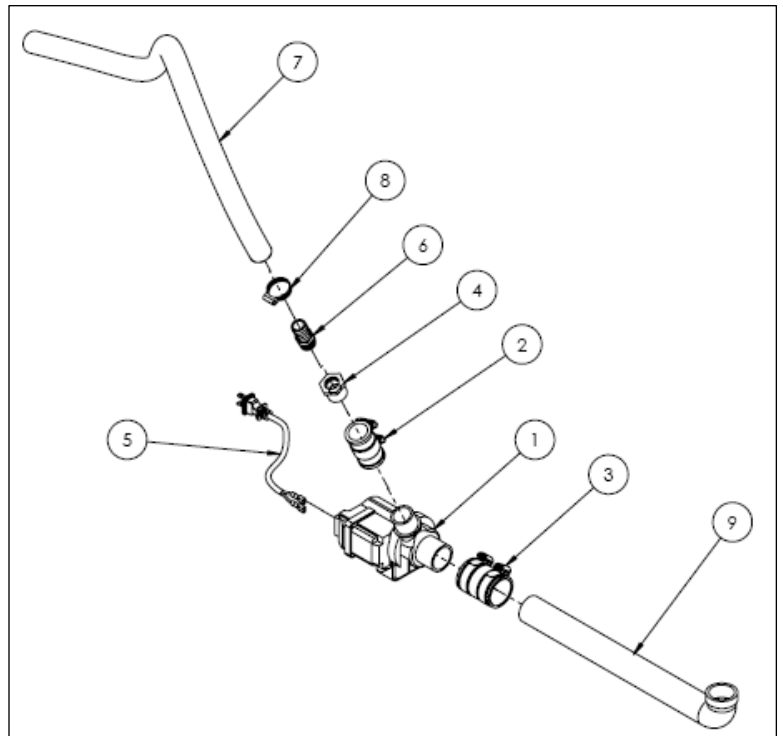
# REPLACEMENT PARTS

## SPA ASSEMBLY

1	4401010X(0-2)	ELLE SHELL	1
2	00040100	POWER STRIP	1
3	03010056	HANDLE CHROME	1
4	03010057	HANDLE ADAPTER	1
5	03010058	SCREW SET	1
6	03010061	SCREW DRAIN	1
7	03010063	PROFILE GASKET	1
8	06130070	SCREW 10-32 X ½ FH PHIL MACH	3
9	15130000	BULKHEAD FTG FOR CHECK VALVE	2
10	15130000	NUT BULKHEAD FTG	2
11	08040022	CONTROL BOX DRAIN PUMP GECKO	1
12	08070010	TAPE FOAM ADHESIVE DBL SIDED	4
13	25022014	ESCUCHEON SPRAYER	1
14	25022014	ESCUCHEON NUT	1
15	3004140x(1 -2)	SWITCH PIEZO (1 OR 2 POS)	1
16	30150001	SUBASM SHOWER SPRAYER CT	1
17	31041401	CABLE WATER MOVEMENT CT DROP	1
18	06130087	WASHER SCS 7/8 RED	1
19	06130088	WASHER SCS 7/8 BLUE	1
20	40020001	WASTE PLUNGER CHROME	1
21	30010221	GASKET BUTTON SWITCH	1
22	25132013	BULKHEAD FITTING ¾" THREADED	1
23	25132013	BULKHEAD NUT	1
24	12010584	CABLE TIE 6.5" MEDIUM	10
25	06130026	DRAIN GASKET FOAM STRIP	1
26	39040000	MOTOR ET SYSTEM 120VAC	1
27	39020008	WASHER EUROPEAN TOUCH MOTOR	1
28	39010020	TUBE CLEAR GENIEYE 6.5" LONG	1
29	4401000X(1-3)	CAP BLACK HINGED FOR SCR HEAD	3
30	08040030	CONTROL BOX JET GECKO	1
31	12130120	FAUCET ASSEMBLY WO-DIVERTER	1
32	14040151	CABLE MODULAR BUTTON	1
33	06130056	HANDLE SCS CARTRIDGE FAUCET	1
34	44000001	ELLE FOOTREST CUSHION W/BRKT	1
35	44130002	TINNERMAN NUT ¼ - 20	8
36	44030002	LABEL UL COMPLIANCE	1
37	44020001	GROMMIT 1.375"	1
38	15130016	CHECK VALVE	4
39	39041400	CABLE SENSOR	1
40	12010582	CABLE TIE 6.5" MEDIUM	4
41	06010054	WASTE SS DRAIN	1
42	44030001	DECALS ELLE SPA	1
43	06130041	BOLT ½-20 X 0.5" PHILLIPS	8

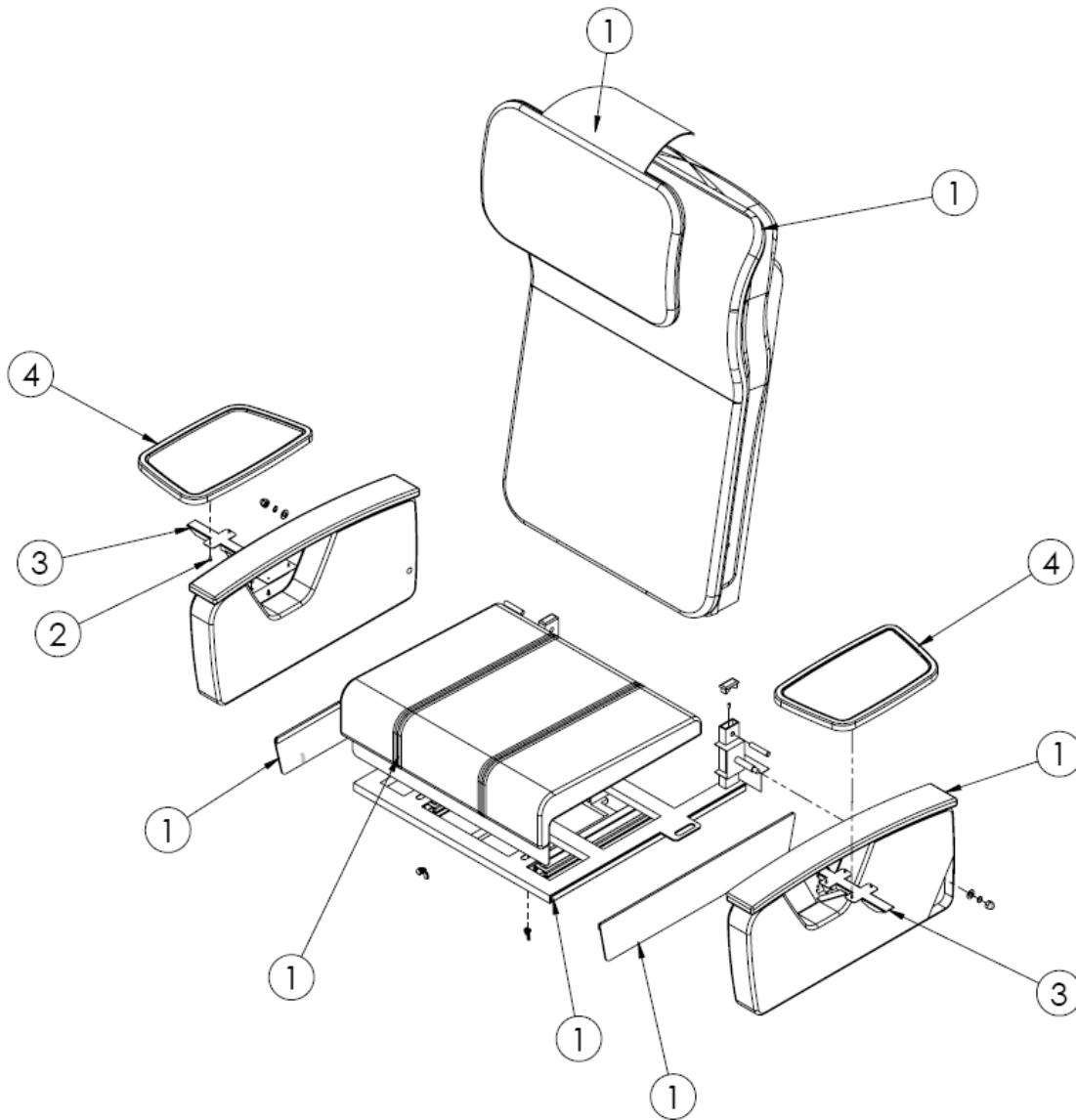


- |              |                             |   |
|--------------|-----------------------------|---|
| 1 - 08040005 | Pump PDP 110V DPO 40        | 1 |
| 2 - 14010113 | Coupler 1"                  | 1 |
| 3 - 14010115 | Coupler 1.25"               | 1 |
| 4 - 14010175 | Reducer 0.75 – 0.5" CPVC    | 1 |
| 5 - 14040477 | Cord Power Drain Pump       | 1 |
| 6 - 12020194 | 0.75" Barb x 0.5" MPT Brass | 1 |
| 7 - 12010177 | 0.75" Clear Braided Hose    | 1 |
| 8 - 12130091 | #10 Hose Clamp              | 1 |
| 9 - 08010007 | PVC FTG Waste Arm           | 1 |



- |              |                                 |   |
|--------------|---------------------------------|---|
| 1 - 08040001 | Pump PDP 110V Hi-Cap            | 1 |
| 2 - 08010004 | Nipple PVC FTG PDP 882 005      | 1 |
| 3 - 08010007 | PVC FTG Waste Arm               | 1 |
| 4 - 08010002 | Bushing Reducer 1.25" – 0.5"    | 1 |
| 5 - 12010235 | Connector Flexible 1.5" – 1.25" | 1 |
| 6 - 06010024 | SCS 0.5 x 0.5 FPT Coupler       | 1 |
| 7 - 12020192 | 0.5" FPT x 0.5" MPT 90 Elbow    | 1 |
| 8 - 15140022 | Hose 48" Rubber                 | 1 |

1



Item	Part Number	Description	Qty
1	4416013x(1-5)	Chair (colors vary)	1
2	44130001	Screws SS #6 size, ½ Panhead	16
3	44021301	Elle Mani Tray Mounting Brackets	1
4	44010200	Mani Trays	1

# HISTORY AND NOTES

## HISTORY AND NOTES



# EUROPEAN TOUCH™

**EUROPEAN TOUCH  
8301 W. Parkland Court  
Milwaukee, WI 53223**

**Phone Number: 1-414-357-7016  
Toll Free: 1-800-626-6912  
Fax: 1-414-357-6360**

**Web Site: [www.europeantouch.com](http://www.europeantouch.com)  
Email: [info@europeantouch.com](mailto:info@europeantouch.com)**